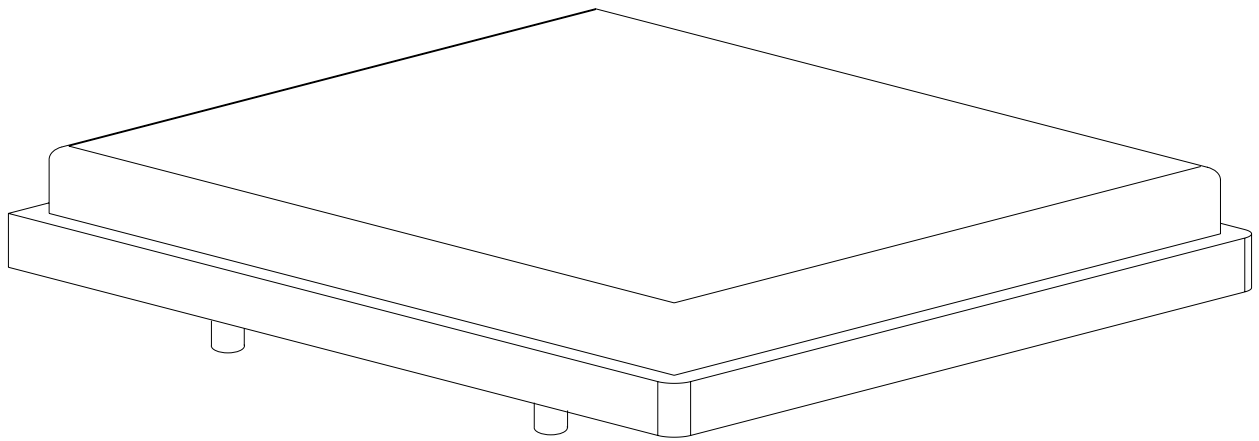


TREKU



Loa Frame

PRODUCT DATA SHEET

1901

1/3

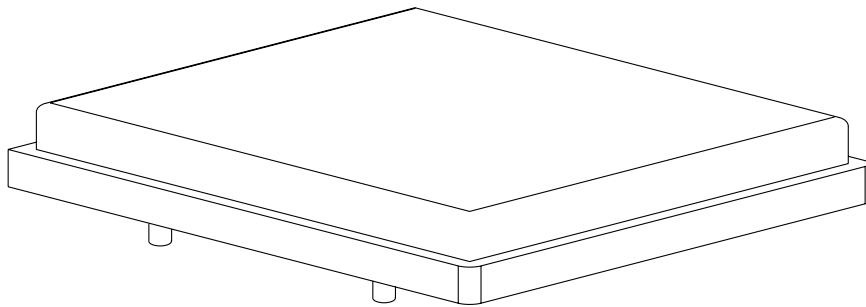
Model: Loa Frame

Manufactured in: Spain-Europe (EU)

Designers: Ibon Arrizabalaga

The Loa bed frame is available in all Treku wood finishes and multiple dimensions.
Warm for its materials and solid for its construction.

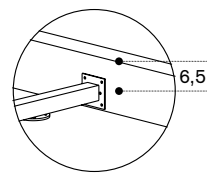
1. Measurements



H 33,5 cm

W 148 / 153 / 163 / 173 / 193 / 213 cm

D 193 / 201 / 211 cm



6,5 Useful hollow for bed base

2. Materials

Frame:

MDF board covered with natural veneer in face and edges. Faces coated with UV cured acrylic and edges varnished with polyurethane.

Bars with legs:

Steel pipe 35*35 supported on 2 adjustable legs

3. Finishes

Treku Woods

4. Product maintenance

For cleaning use a cloth moistened with water. Do not use solvents or cleaning products. Avoid placing penetrating liquids, essential oils, perfumes, on top of the furniture.

5. Packaging and transportation

All our products are duly packaged (cardboard, foams and Styrofoam). Our carriers are the most demanding for the characteristics of our products.

6. Assembly instructions

All our products include assembly instructions for their correct installation.

See attached document.

For any technical question, do not hesitate to contact our technical department.

7. Warranty

The products have 2 years guarantee as long as its installation is carried out by professionals of the sector and the use of the material is adequate. Treku accepts no liability for any incident arising from the mishandling of the products supplied.

Wood, being a natural product, may have small differences in texture, color and pattern. Treku is not responsible for any minor differences that may arise.

Because of its natural origin, the wood with time may suffer differences in color and texture, so we cannot ensure homogeneity of color in additional orders.